

# REPLACEMENT PARTS LIST

**Notes:** \*Important safety notice:

 Components identified by  $\Delta$  mark have special characteristics important for safety.

Furthermore, special parts which have purposes of fire-retardant (resistors), high-quality sound (capacitors), low-noise (resistors), etc. are used.

When replacing any of components, be sure to use only manufacturer's specified parts shown in the parts list.

\*The parenthesized indications in the Remarks columns specify the areas. (Refer to the cover page for area.)

Parts without these indications can be used for all areas.

Ref. No.	Part No.	Part Name & Description	Remarks	Ref. No.	Part No.	Part Name & Description	Remarks
		INTEGRATED CIRCUIT (S)		Q751	UN421FTA	TRANSISTOR	
				Q752	2SC3940AQSTA	TRANSISTOR	$\Delta$
				Q771, 772	2SA1309AIRTA	TRANSISTOR	
				Q773	2SB621AQSTA	TRANSISTOR	$\Delta$
				Q774-776	2SA1309AIRTA	TRANSISTOR	
IC101	LA1832A	FM/AM IF AMP. /AM OSC		Q901	UN4214TA	TRANSISTOR	
IC102	LC7218	PLL FREQ. SYNTHESIZER		Q902	2SA1309AIRTA	TRANSISTOR	$\Delta$
IC351	MC14052BCP	VIDEO SELECTOR		Q905	DTC114YSTP	TRANSISTOR	
IC401	NJU7312AL	INPUT SELECTOR		Q908	UN4211	TRANSISTOR	
IC402	UPC4570C	BUFFER AMP.		Q1001	2SC3940AQSTA	TRANSISTOR	$\Delta$
IC451	AN6558F	PHONO EQ. AMP.		Q1081	2SA1309AIRTA	TRANSISTOR	
IC501	BA6218	MOTOR DRIVE		Q1151	2SD1915FTA	TRANSISTOR	
IC511	UPC4570C	TONE AMP.				DIODE (S)	
IC551	UPC4570C	PRE AMP.					
IC601, 602	RSN3306A	POWER AMP.	$\Delta$	D101	MA4051MTA	DIODE	$\Delta$
IC901	M38122M4250F	MICROCOMPUTER		D102	MA165	DIODE	
IC1001	LA2785	DOLBY PRO LOGIC CONTROL		D351, 352	MA4056MTA	DIODE	$\Delta$
IC1002	LV1010N	DOLBY PRO LOGIC DRIVE		D353	MA165	DIODE	
IC1004	TC9214P	SIGNAL SELECTOR		D401	MA4075MTA	DIODE	$\Delta$
IC1151	M5218AP	BUFFER AMP. (SUB WOOFER)		D553	MA165	DIODE	
		TRANSISTOR (S)		D581-584	MA4030MTA	DIODE	
Q101	2SC2787L	TRANSISTOR		D601, 602	SB3606501T	DIODE	
Q103, 104	2SC2785FE	TRANSISTOR		D603	MA700	DIODE	
Q106	UN411FTA	TRANSISTOR		D604-606	MA165	DIODE	
Q107, 108	2SC3311ARSTA	TRANSISTOR		D608	MA165	DIODE	
Q191-193	2SC3311ARSTA	TRANSISTOR	(E, EB)	D610, 611	1SR35200TB	DIODE	
Q351	2SC3311AIRTA	TRANSISTOR		D651, 652	SB3606501T	DIODE	
Q352, 353	2SA1309AIRTA	TRANSISTOR		D654, 655	MA165	DIODE	
Q354	UN4213AITA	TRANSISTOR		D657	MA165	DIODE	
Q501, 502	2SJ40CDTA	TRANSISTOR		D660, 661	1SR35200TB	DIODE	
Q505, 506	2SD1915FTA	TRANSISTOR		D701-704	P300D5002T	DIODE	$\Delta$
Q551, 552	2SC3311AIRTA	TRANSISTOR		D705, 706	MA4062MTA	DIODE	$\Delta$
Q571, 572	2SA1309AIRTA	TRANSISTOR		D707	MA4220MTA	DIODE	
Q573, 574	2SC3311AIRTA	TRANSISTOR		D708	MA4150M	DIODE	$\Delta$
Q581, 582	2SA1309AIRTA	TRANSISTOR		D721-728	P300DLF	DIODE	$\Delta$
Q583, 584	2SC3311AIRTA	TRANSISTOR		D751-754	1SR35200TB	DIODE	$\Delta$
Q585	2SA1309AIRTA	TRANSISTOR	(G, GN)	D755	MA165	DIODE	
Q586	2SA1309AIRTA	TRANSISTOR		D756	MA4068M	DIODE	$\Delta$
Q601, 602	UN4119	TRANSISTOR		D771	MA165	DIODE	
Q651	UN4119	TRANSISTOR		D772	MA4068L	DIODE	
Q681, 682	2SD1915FTA	TRANSISTOR		D773	MA165	DIODE	
Q701	2SD2374PQAU	TRANSISTOR	$\Delta$	D901	1SS291TA	DIODE	
Q703-705	2SC3311AIRTA	TRANSISTOR	$\Delta$	D903	MA4047MTA	DIODE	$\Delta$
Q706	2SC3940AQSTA	TRANSISTOR	$\Delta$	D907	MA165	DIODE	(E, EB)
Q707	2SB621AQSTA	TRANSISTOR	$\Delta$	D908	MA165	DIODE	(EG, G, GN)
Q708	2SB1548PQAU	TRANSISTOR	$\Delta$				

Ref. No.	Part No.	Part Name & Description	Remarks	Ref. No.	Part No.	Part Name & Description	Remarks
D910	MA165	DIODE		CF202	RLFFETMGD01L	FILTER	
D921	MA165	DIODE		CF901	RSXY6M00M03T	OSCILLATOR (6MHz)	
D923	MA165	DIODE		CF1051	EF0EC8004T4	OSCILLATOR (8MHz)	
D924	MA4039MTA	DIODE	△	X101	RSXZ456KM07M	OSCILLATOR (456kHz)	
D929	LN846RPH	L. E. D.		X102	RLFDGTD01I	OSCILLATOR (10. 65MHz)	
D930	LN41YCPHL	L. E. D.		X103	RSXC7M20S05T	OSCILLATOR (7. 2MHz)	
D1001	MA4100MTA	DIODE	△				
D1002	MA700	DIODE				DISPLAY TUBE (S)	
		VARIABLE RESISTOR(S)		FL901	RSL0199-F	DISPLAY TUBE	
						FM FRONT END PACK ASS'Y(S)	
VR501	EUWMR0026B15	VOLUME CONTROL					
VR502	EVJ02QF02G15	BALANCE CONTROL		Z120	ENV17290G1Y	FM FRONT END	
VR511, 512	EVJYA1FA5C15	TONE CONTROL				FUSE(S)	
		COIL(S)					
L101	ELESNR68MA	COIL	(E, EB)	F1	XBA2C20TBO	FUSE, 250V T2A	(E, EB, EG, GN) △
L101	ELESNR0MA	COIL	(EG, G, GN)	F1	XBA2C40TBO	FUSE, 250V T4A	(G) △
L103	ELEXTR47MA9	COIL		F2	XBA2C20TBO	FUSE, 250V T2A	(G) △
L105, 106	RLQZB822KT-D	COIL				SWITCH(ES)	
L151	SLM1B10M-1M	COIL					
L191	ELESNR68MA	COIL	(E, EB)	S701	ESD26840A	VOLTAGE ADJ.	(G) △
L191	ELESNR56MA	COIL	(EG, G, GN)	S946	EVQ21405R	NUMERIC (5)	
L501, 502	RLQZP1R0KT-Y	COIL		S947	EVQ21405R	CENTER LEVEL (-)	
L601, 602	RLQYR73M	COIL		S948	EVQ21405R	TEST	
L651, 652	RLQYR73M	COIL		S949	EVQ21405R	NUMERIC (4)	
L701	SLQZ650MH49	COIL	(E, EB, EG, GN) △	S950	EVQ21405R	NUMERIC (6)	
L751	RLQB101JTA-Y	COIL		S951	EVQ21405R	CENTER LEVEL (+)	
L901	RLQB101JTA-Y	COIL		S952	EVQ21405R	NUMERIC (7)	
L1051	RLQB101JTA-Y	COIL		S953	EVQ21405R	SURROUND LEVEL (-)	
		TRANSFORMER(S)		S954	EVQ21405R	CD	
				S955	EVQ21405R	TUNER	
T701	RTP1P5E020	POWER TRANSFORMER (MAIN)	(EG) △	S956	EVQ21405R	CENTER MODE	
T701	RTP1P5E021	POWER TRANSFORMER (MAIN)	(GN) △	S957	EVQ21405R	NUMERIC (9)	
T701	RTP1P5E024	POWER TRANSFORMER (MAIN)	(E, EB) △	S960	EVQ21405R	SURROUND LEVEL (+)	
T701	RTP1Q5E012	POWER TRANSFORMER (MAIN)	(G) △	S961	EVQ21405R	NUMERIC (8)	
T751	RTP1I5E006	POWER TRANSFORMER (SUB)	(E, EB, EG, GN) △	S962	EVQ21405R	NUMERIC (0)	
T751	RTP1I5E007	POWER TRANSFORMER (SUB)	(G) △	S963	EVQ21405R	DELAY TIME	
		COMPONENT COMBINATION(S)		S964	EVQ21405R	PHONO	
				S965	EVQ21405R	MUTING/-LOUDNESS	
Z101	RLA6Z005M-T	COMPONENT COMBINATION	(E, EB)	S966	EVQ21405R	MEMORY	
Z101	RLA2Z002M-T	COMPONENT COMBINATION	(EG, G, GN)	S967	EVQ21405R	HELP/-RESET	
Z102	RLI2Z006M-T	COMPONENT COMBINATION		S968	EVQ21405R	NUMERIC (>10)	
Z751	ERZV10V511CS	SURGE ABSORBER	△	S970	EVQ21405R	TAPE MONITOR	
Z891	RCDHC-278N	REMOTE SENSOR		S971	EVQ21405R	VCR2/VIDEO CD	
		FILTER(S) AND OSCILLATOR(S)		S972	EVQ21405R	VCR1	
				S973	EVQ21405R	SPEAKERS A	
CF201	RLFFETMGD01L	FILTER		S974	EVQ21405R	TUNING UP	
				S975	EVQ21405R	TUNING DOWN	
				S976	EVQ21405R	BAND	

Ref. No.	Part No.	Part Name & Description	Remarks	Ref. No.	Part No.	Part Name & Description	Remarks
S977	EVQ21405R	FM AUTO/MONO		JK791	SJS9236	AC INLET	(E, EB, EG) Δ
S978	EVQ21405R	POWER		JK791	SJSD16	AC INLET	(GN) Δ
S980	EVQ21405R	SFC MODE		JK793	SJS9231-1B	AC INLET	(G) Δ
S981	EVQ21405R	SPEAKERS B		HP601	RJG63TA01	HEADPHONES JACK	
S983	EVQ21405R	DOLBY PRO LOGIC MODE				GND PLATE(S)	
S984	EVQ21405R	DOLBY PRO LOGIC/SFC OFF/ON		E401	SNE1004-2	GND PLATE	
S985	EVQ21405R	NUMERIC (3)		E501	RSC0413	GND PLATE	
S986	EVQ21405R	NUMERIC (2)		E601	SNE1004-2	GND PLATE	
S987	EVQ21405R	NUMERIC (1)				FUSE HOLDER(S)	
S988	EVQ21405R	DIRECT TUNING					
		RELAY(S)					
RL601-603	RSY0013M-0	RELAY	Δ	FC701, 702	EYF52BC	FUSE HOLDER	
RL751	RSY0019M-0	RELAY	Δ	FC703, 704	EYF52BC	FUSE HOLDER	(G)
		CONNECTOR(S) AND SOCKET(S)					
CN101, 102	RJU057W007	SOCKET (7P)					
CN401, 402	RJU057W007	SOCKET (7P)					
CN501	RJU057W007	SOCKET (7P)					
CN502	RJU057W004	SOCKET (4P)					
CN702	RJS1A6605	CONNECTOR (5P)					
CN751	SJS305-1	CONNECTOR (3P)	(E, EB, EG, GN)				
CN751	SJS702-2	CONNECTOR (7P)	(G)				
CN753-759	RJS1A1101T1	CONNECTOR (1P)					
CN901, 902	RJU003K008M1	SOCKET (8P)					
CN903	RJU003K010M1	SOCKET (10P)					
CN904, 905	RJU003K008M1	SOCKET (8P)					
CP101, 102	RJT057W007-1	CONNECTOR (7P)					
CP401, 402	RJT057W007-1	CONNECTOR (7P)					
CP501	RJT057W007-1	CONNECTOR (7P)					
CP502	RJT057W004-1	CONNECTOR (4P)					
CP701A	RJT039W06T	CONNECTOR (6P)					
CP701B	RJT039W06T	CONNECTOR (6P)					
CP901, 902	RJT003K008-1	CONNECTOR (8P)					
CP903	RJT003K010-1	CONNECTOR (10P)					
CP904, 905	RJT003K008-1	CONNECTOR (8P)					
		JACK(S) AND TERMINAL(S)					
JK101	RJH4202M	ANT TERMINAL					
JK351	SJF3069-3N	TV MONITOR OUT/VIDEO					
JK401	SJF3068-7N	PHONO TERMINAL					
JK402	SJF3069N	CD IN/REC OUT TERMINAL					
JK403	SJF3069N	PLAY IN/VCR2 IN TERMINAL					
JK404	SJF3069N	VCR1 OUT/VCR1 IN TERMINAL					
JK405	SJF3068-7N	SUB WOOFER OUT					
JK601	RJR0054	FRONT SPEAKER(A) TERMINAL					
JK602	RJH5601	CENTER/FRONT SP(B) TERMINAL					
JK603	RJR0054	SURROUND SPEAKER TERMINAL					
JK771	RJS1A7402-1	FAN MOTOR TERMINAL					

Ref. No.	Part No.	Part Name & Description	Remarks				
		CABINET AND CHASSIS					
1	RKMD041A-K	CABINET					
2	SNE2129-3	SCREW					
3	XTBS3+8JFZ1	SCREW					
4	REZO684	FLAT CABLE(5P) (W702)					
5	RFKEUG95GAK	CONNECTOR ASS' Y (12P) (W701)					
6	RFKEUG95GBK	FLAT CABLE ASS' Y (6P) (W752)					
7	REMO020-1	FAN MOTOR UNIT					
7-1	MDN-4RB4MRC	FAN MOTOR					
7-2	SHE232-1	FAN					
7-3	RMQ0209-K	FAN CASE					
7-4	RMQ0208-K	FAN CAP					
7-5	SUS271	SPRING					
7-6	RMQ0212-K	FAN TERMINAL CAP					
8	RGRO214C-C	REAR PANEL	(E)				
8	RGRO214C-B	REAR PANEL	(EB)				
8	RGRO214C-A	REAR PANEL	(EG)				
8	RGRO214D-A	REAR PANEL	(G)				
8	RGRO214C-D	REAR PANEL	(GN)				
9	RGWO163A-K	VOLUME KNOB					
10	RFKJAGX470PK	BOTTOM CHASSIS ASS' Y					
10-1	RKAO053-A	FOOT					
11	RKQ0089	P. C. B. SUPPORT					
12	RMCO158	TRANSISTOR HOLDER					
13	RMNO304	FL. HOLDER					
14	RMNO313-J	LED HOLDER					
15	RFKGAGX690EK	FRONT PANEL ASS' Y	(E, EB, EG)				
15	RFKGAGX690GK	FRONT PANEL ASS' Y	(G, GN)				
15-1	RKWO388B-Q	TRANSPARENT PLATE					
16	RFKNAGX690PA	MODE BUTTON ASS' Y					
17	RFKNAGX690PB	TUNING BUTTON ASS' Y					
18	RGU1174-Q	HELP BUTTON					
19	RGWO175-1K	BALANCE/BASS/TREBLE KNOB					
20	RHD26016	SCREW					
21	RHN90001	NUT					
22	XTBS26+8J	SCREW					
23	SNE2123	GND TERMINAL					
24	XTB3+20JFZ	SCREW					
25	XTB3+8JFZ	SCREW					
26	XTWS3+8T	SCREW					
27	XTW3+15T	SCREW					
28	RFKNAGX690PC	SELECTOR BUTTON(1) ASS' Y					
29	RFKNAGX690PD	SELECTOR BUTTON(2) ASS' Y					
30	RMNO217	POWER SUPPLY P. C. B. HOLDER					
31	SHR9814	CORD CLAMPER					
32	RMZO339	SURGE ABSORBER COVER					
33	SJS9231A	AC INLET COVER	(G)				
34	XTBS3+8JFZ1	SCREW	(G)				
35	XTBS3+8JFZ1	SCREW	(E, EB, EG, GN)				

1 2 3 4 5

# CABINET PARTS LOCATION

A

B

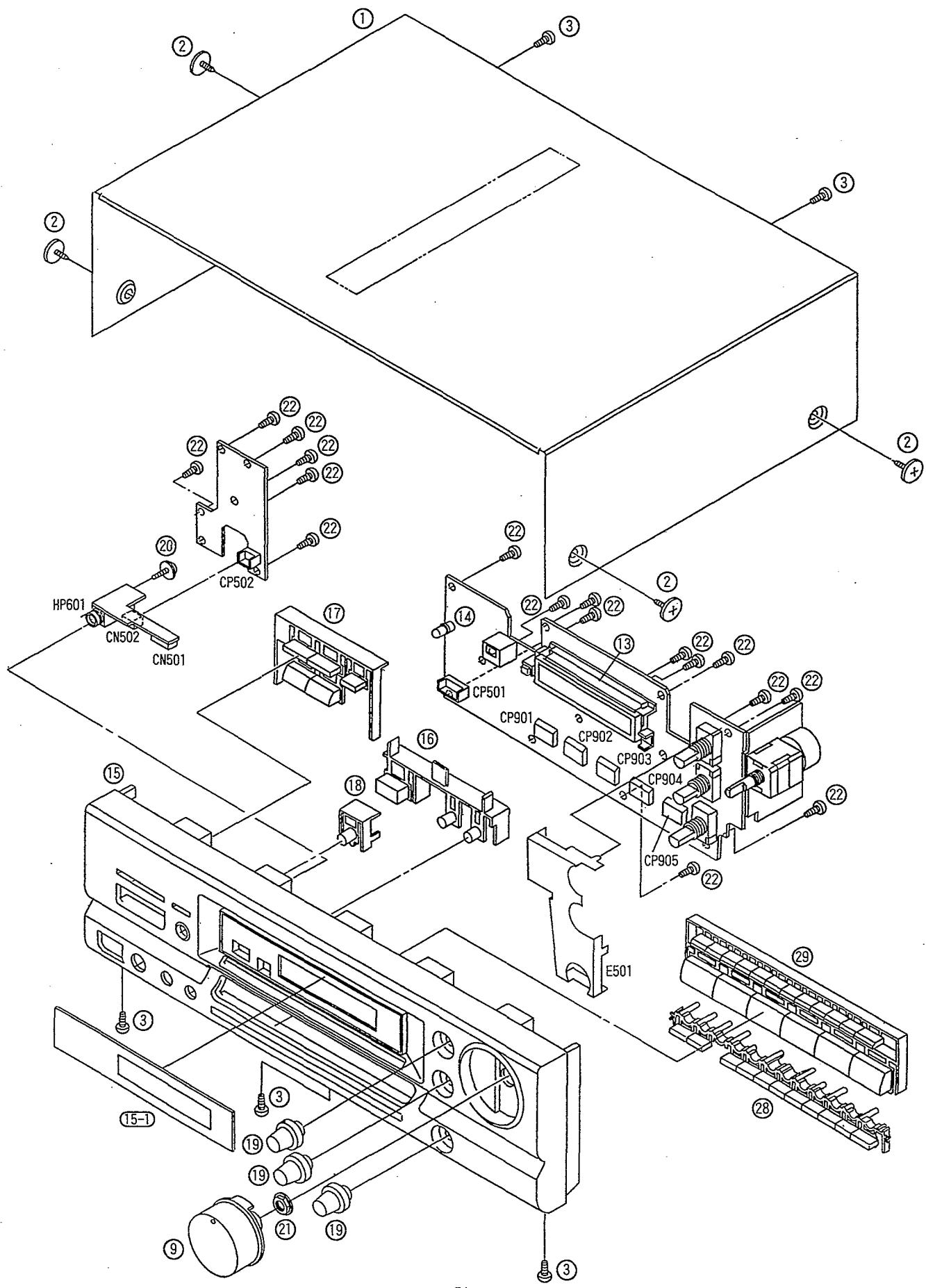
C

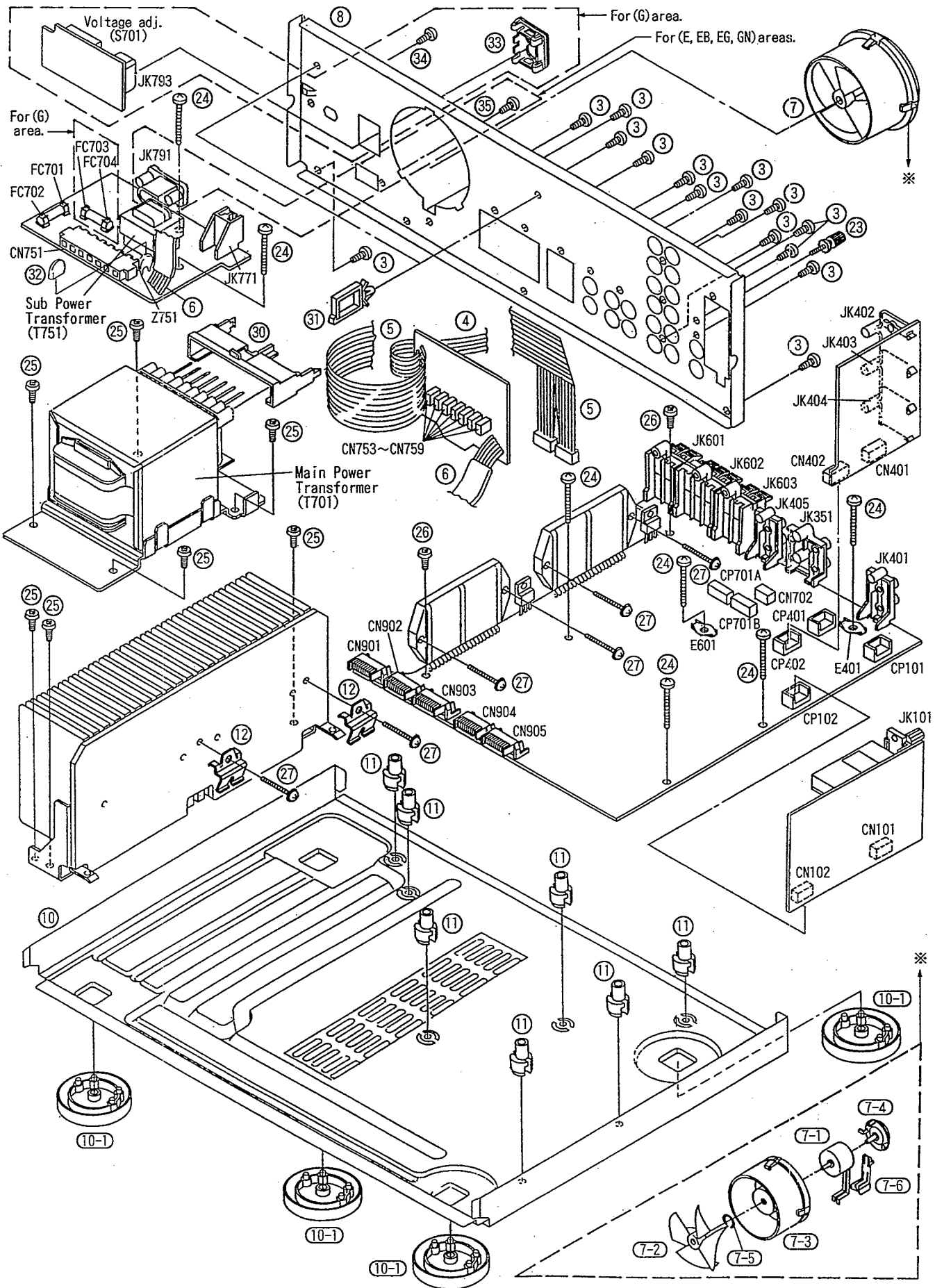
D

E

F

G





# RESISTORS AND CAPACITORS

Notes : \* Capacity values are in microfarads (uF) unless specified otherwise, P=Pico-farads (pF) F=Farads (F)  
 \* Resistance values are in ohms, unless specified otherwise, 1K=1,000 (OHM), 1M=1,000k (OHM)

Ref. No.	Part No.	Values & Remarks	Ref. No.	Part No.	Values & Remarks	Ref. No.	Part No.	Values & Remarks
		RESISTORS	R358	ERDS2TJ471	1/4W 470	R543, 544	ERDS2TJ102	1/4W 1K
			R359	ERDS2TJ2R2T	1/4W 2.2	R545	ERDS2TJ824	1/4W 820K
			R360	ERDS2TJ470	1/4W 47	R546	ERDS2TJ103	1/4W 10K
R103	ERDS2TJ101	1/4W 100	R361	ERDS2TJ471	1/4W 470	R551, 552	ERDS2TJ102	1/4W 1K
R104	ERDS2TJ102	1/4W 1K	R362	ERDS2TJ2R2T	1/4W 2.2	R553, 554	ERDS2TJ104	1/4W 100K
R105	ERDS2TJ471	1/4W 470	R363	ERDS2TJ332	1/4W 3.3K	R555, 556	ERDS2TJ223	1/4W 22K
R106	ERDS2TJ224T	1/4W 220K	R364	ERDS2TJ561	1/4W 560	R557	ERDS2TJ681	1/4W 680 (E, EB, EG)
R107	ERDS2TJ471	1/4W 470	R365	ERDS2TJ332	1/4W 3.3K	R557	ERDS2TJ821	1/4W 820 (G, GN)
R110	ERDS2TJ102	1/4W 1K	R366	ERDS2TJ104	1/4W 100K	R558	ERDS2TJ561	1/4W 560 (E, EB, EG)
R112	ERDS2TJ104	1/4W 100K	R367, 368	ERDS2TJ103	1/4W 10K	R558	ERDS2TJ681	1/4W 680 (G, GN)
R113	ERDS2TJ103	1/4W 10K	R369, 370	ERDS1FVJ271T	1/2W 270 Δ	R561	ERDS2TJ332	1/4W 3.3K
R114	ERDS2TJ562	1/4W 5.6K	R373, 374	ERDS2TJ103	1/4W 10K	R563	ERDS2TJ332	1/4W 3.3K
R115	ERDS2TJ561	1/4W 560	R401, 402	ERDS2TJ102	1/4W 1K	R564	ERDS2TJ472	1/4W 4.7K
R116	ERDS2TJ102	1/4W 1K	R405-416	ERDS2TJ102	1/4W 1K	R565, 566	ERDS2TJ102	1/4W 1K
R117	ERDS2TJ473	1/4W 47K	R417, 418	ERDS2TJ473	1/4W 47K	R567	ERDS2TJ474	1/4W 470K
R118	ERDS2TJ562	1/4W 5.6K	R419-422	ERDS2TJ104	1/4W 100K	R568	ERDS2TJ103	1/4W 10K
R119	ERDS2TJ183T	1/4W 18K	R423, 424	ERDS2TJ102	1/4W 1K	R569, 570	ERDS2TJ102	1/4W 1K
R120	ERDS2TJ473	1/4W 47K	R425-427	ERDS2TJ103	1/4W 10K	R571, 572	ERDS2TJ222	1/4W 2.2K
R121	ERDS2TJ332	1/4W 3.3K	R440	ERDS1FVJ820T	1/2W 82 Δ	R573-578	ERDS2TJ102	1/4W 1K
R122	ERDS2TJ272T	1/4W 2.7K	R441, 442	ERDS2TJ473	1/4W 47K	R579	ERDS2TJ102	1/4W 1K (E, EB, EG)
R124	ERDS2TJ271	1/4W 270	R443	ERDS2TJ330	1/4W 33	R579	ERDS2TJ122	1/4W 1.2K (G, GN)
R125, 126	ERDS2TJ472	1/4W 4.7K	R451, 452	ERDS2TJ224T	1/4W 220K	R581, 582	ERDS2TJ471	1/4W 470
R127	ERDS2TJ103	1/4W 10K	R453, 454	ERDS2TJ391	1/4W 390	R583-586	ERDS2TJ102	1/4W 1K
R128	ERDS2TJ820	1/4W 82	R455, 456	ERDS2TJ563	1/4W 56K	R587, 588	ERDS2TJ122	1/4W 1.2K (E, EB, EG)
R129	ERDS2TJ473	1/4W 47K	R457, 458	ERDS2TJ271	1/4W 270	R587, 588	ERDS2TJ102	1/4W 1K (G, GN)
R130, 131	ERDS2TJ102	1/4W 1K	R459, 460	ERDS2TJ680T	1/4W 68	R589	ERDS2TJ821	1/4W 820 (G, GN)
R132	ERDS2TJ103	1/4W 10K	R461, 462	ERDS2TJ184T	1/4W 180K	R590	ERDS2TJ472	1/4W 4.7K (G, GN)
R133-137	ERDS2TJ102	1/4W 1K	R463, 464	ERDS2TJ123	1/4W 12K	R591, 592	ERDS2TJ222	1/4W 2.2K
R139, 140	ERDS2TJ272T	1/4W 2.7K	R465, 466	ERDS2TJ563	1/4W 56K	R593	ERDS2TJ102	1/4W 1K (E, EB, EG)
R141, 142	ERDS2TJ102	1/4W 1K	R467-470	ERDS2TJ102	1/4W 1K	R593	ERDS2TJ222	1/4W 2.2K (G, GN)
R143, 144	ERDS2TJ222	1/4W 2.2K	R501, 502	ERDS2TJ222	1/4W 2.2K	R594	ERDS2TJ223	1/4W 22K (E, EB, EG)
R145, 146	ERDS2TJ102	1/4W 1K (E, EB)	R503-506	ERDS2TJ103	1/4W 10K	R594	ERDS2TJ333	1/4W 33K (G, GN)
R145, 146	ERDS2TJ561	1/4W 560 (EG, G, GN)	R507	ERDS2TJ153	1/4W 15K	R601, 602	ERDS2TJ102	1/4W 1K
R147, 148	ERDS2TJ474	1/4W 470K	R508	ERDS1FVJ2R2T	1/2W 2.2 Δ	R603, 604	ERDS2TJ563	1/4W 56K
R149	ERDS2TJ680T	1/4W 68	R511, 512	ERDS2TJ471	1/4W 470	R605, 606	ERDS2TJ182	1/4W 1.8K
R171, 172	ERDS2TJ102	1/4W 1K	R513-516	ERDS2TJ474	1/4W 470K	R607, 608	ERDS2TJ563	1/4W 56K
R173	ERDS2TJ471	1/4W 470	R517, 518	ERDS2TJ182	1/4W 1.8K (E, EB, EG)	R609, 610	ERDS2TJ470	1/4W 47
R175	ERDS2TJ102	1/4W 1K	R517, 518	ERDS2TJ222	1/4W 2.2K (G, GN)	R611, 612	ERDS1FVJ100T	1/2W 10 Δ
R176	ERDS2TJ391	1/4W 390	R519, 520	ERDS2TJ103	1/4W 10K (E, EB, EG)	R613, 614	ERDS2TJ102	1/4W 1K
R191	ERDS2TJ103	1/4W 10K (E, EB)	R519, 520	ERDS2TJ392T	1/4W 3.9K (G, GN)	R615	ERDS2TJ184T	1/4W 180K
R192	ERDS2TJ122	1/4W 1.2K (E, EB)	R521, 522	ERDS2TJ223	1/4W 22K	R616	ERDS2TJ154	1/4W 150K
R193	ERDS2TJ182	1/4W 1.8K (E, EB)	R523, 524	ERDS2TJ392T	1/4W 3.9K	R617, 618	ERDS2TJ473	1/4W 47K
R194	ERDS2TJ122	1/4W 1.2K (E, EB)	R525, 526	ERDS2TJ222	1/4W 2.2K	R619	ERDS2TJ223	1/4W 22K
R195	ERDS2TJ222	1/4W 2.2K (E, EB)	R527, 528	ERDS2TJ122	1/4W 1.2K	R620	ERD25FJ220	1/4W 22 Δ
R301, 302	ERDS2TJ101	1/4W 100	R529, 530	ERDS2TJ273	1/4W 27K	R621	ERDS2TJ183T	1/4W 18K
R354	ERDS2TJ332	1/4W 3.3K	R531, 532	ERDS2TJ222	1/4W 2.2K	R622	ERDS2TJ124T	1/4W 120K
R355	ERDS2TJ470	1/4W 47	R533, 534	ERDS2TJ272T	1/4W 2.7K	R623	ERDS2TJ684	1/4W 680K
R356	ERDS2TJ152	1/4W 1.5K	R535, 536	ERDS2TJ332	1/4W 3.3K	R624, 625	ERDS2TJ154	1/4W 150K (E, EB, EG)
R357	ERDS2TJ470	1/4W 47	R537, 538	ERDS2TJ103	1/4W 10K	R624, 625	ERDS2TJ563	1/4W 56K (G, GN)

Ref. No.	Part No.	Values & Remarks	Ref. No.	Part No.	Values & Remarks	Ref. No.	Part No.	Values & Remarks
R628-630	ERDS2TJ223	1/4W 22K	R777	ERDS2TJ220T	1/4W 22	R984	ERDS2TJ222	1/4W 2.2K
R635, 636	ERDS1FVJ471T	1/2W 470 Δ	R778	ERDS2TJ222	1/4W 2.2K	R985	ERDS2TJ332	1/4W 3.3K
R637-640	ERG1SJ101E	1W 100	R779	ERDS2TJ103	1/4W 10K	R986	ERDS2TJ472	1/4W 4.7K
R641	ERDS2TJ684	1/4W 680K	R780, 781	ERDS2TJ473	1/4W 47K	R987	ERDS2TJ682T	1/4W 6.8K
R642	ERDS2TJ472	1/4W 4.7K	R782	ERDS2TJ153	1/4W 15K	R988	ERDS2TJ123	1/4W 12K
R647, 648	ERDS2TJ221	1/4W 220	R783	ERDS2TJ103	1/4W 10K	R990	ERDS2TJ153	1/4W 15K
R651, 652	ERDS2TJ102	1/4W 1K	R784	ERDS2TJ335T	1/4W 3.3K	R1001-1004	ERDS2TJ102	1/4W 1K
R653, 654	ERDS2TJ563	1/4W 56K	R791-796	ERDS2TJ223	1/4W 22K	R1005	ERDS2TJ203T	1/4W 20K
R655, 656	ERDS2TJ182	1/4W 1.8K	R797	ERDS2TJ682T	1/4W 6.8K	R1007, 1008	ERDS2TJ473	1/4W 47K
R657, 658	ERDS2TJ563	1/4W 56K	R901	ERDS2TJ102	1/4W 1K	R1009-1011	ERDS2TJ332	1/4W 3.3K
R659, 660	ERDS2TJ470	1/4W 47	R907-909	ERDS2TJ104	1/4W 100K	R1012	ERDS2TJ102	1/4W 1K
R661, 662	ERDS1FVJ100T	1/2W 10 Δ	R911	ERDS2TJ104	1/4W 100K	R1051	ERDS2TJ393	1/4W 39K
R663, 664	ERDS2TJ102	1/4W 1K	R913	ERDS2TJ104	1/4W 100K	R1052	ERDS2TJ105T	1/4W 1M
R665	ERDS2TJ154	1/4W 150K	R914-917	ERDS2TJ103	1/4W 10K	R1053	ERDS2TJ102	1/4W 1K
R666	ERDS2TJ184T	1/4W 180K	R920	ERDS2TJ271	1/4W 270	R1054	ERDS2TJ104	1/4W 100K
R667, 668	ERDS2TJ473	1/4W 47K	R921	ERDS2EJ121	1/4W 120	R1055, 1056	ERDS2TJ473	1/4W 47K
R669	ERDS2TJ223	1/4W 22K	R922	ERDS2TJ472	1/4W 4.7K	R1057	ERDS2TJ103	1/4W 10K
R670	ERD25FJ220	1/4W 22 Δ	R927	ERDS2TJ181T	1/4W 180	R1061	ERDS2TJ222	1/4W 2.2K
R671	ERDS2TJ183T	1/4W 18K	R928	ERDS2TJ151	1/4W 150	R1062	ERDS2TJ273	1/4W 27K
R672	ERDS2TJ124T	1/4W 120K	R930, 931	ERDS2TJ101	1/4W 100	R1063	ERDS2TJ332	1/4W 3.3K
R673	ERDS2TJ684	1/4W 680K	R941	ERDS2TJ104	1/4W 100K	R1081	ERDS2TJ104	1/4W 100K
R674, 675	ERDS2TJ154	1/4W 150K (E, EB, EG)	R946-949	ERDS2TJ103	1/4W 10K	R1082	ERDS2TJ474	1/4W 470K
R674, 675	ERDS2TJ563	1/4W 56K (G, GN)	R950	ERDS2TJ102	1/4W 1K	R1151-1153	ERDS2TJ473	1/4W 47K
R676	ERDS2TJ223	1/4W 22K	R951	ERDS2TJ122	1/4W 1.2K	R1154	ERDS2TJ333	1/4W 33K
R678	ERDS1FVJ471T	1/2W 470 Δ	R952	ERDS2TJ152	1/4W 1.5K	R1155, 1156	ERDS2TJ393	1/4W 39K
R681-694	ERDS2TJ270T	1/4W 27	R953	ERDS2TJ182	1/4W 1.8K	R1157	ERDS2TJ222	1/4W 2.2K
R695, 696	ERDS2TJ102	1/4W 1K	R954	ERDS2TJ222	1/4W 2.2K	R1158	ERDS2TJ104	1/4W 100K
R697, 698	ERDS2TJ221	1/4W 220	R955	ERDS2TJ332	1/4W 3.3K	R1159	ERDS2TJ103	1/4W 10K
R699	ERDS2TJ332	1/4W 3.3K	R956	ERDS2TJ472	1/4W 4.7K	R1160	ERDS2TJ102	1/4W 1K (E, EB, EG)
R703, 704	ERDS1FVJ3R9T	1/2W 3.9 Δ	R957	ERDS2TJ682T	1/4W 6.8K	R1205	ERDS2TJ102	1/4W 1K
R705	ERDS2TJ472	1/4W 4.7K	R960	ERDS2TJ102	1/4W 1K			
R706	ERDS2TJ102	1/4W 1K	R961	ERDS2TJ122	1/4W 1.2K			CAPACITORS
R709	ERD25FVJ221T	1/4W 220 Δ	R962	ERDS2TJ152	1/4W 1.5K			
R712	ERDS2TJ472	1/4W 4.7K	R963	ERDS2TJ182	1/4W 1.8K	C101	ECBT1C103NS5	16V 0.01U
R713, 714	ERDS2TJ1R5T	1/4W 1.5	R964	ERDS2TJ222	1/4W 2.2K	C103	ECBT1C103NS5	16V 0.01U
R715	ERDS2TJ752T	1/4W 7.5K	R965	ERDS2TJ332	1/4W 3.3K	C104	ECBT1H102KB5	50V 1000P
R716	ERDS2TJ682T	1/4W 6.8K	R966	ERDS2TJ472	1/4W 4.7K	C105	ECBT1H470J5	50V 47P
R717	ERD2FCVJ6R8T	1/4W 6.8 Δ	R967	ERDS2TJ682T	1/4W 6.8K	C106	ECBT1C103NS5	16V 0.01U
R718	ERDS2TJ182	1/4W 1.8K	R968	ERDS2TJ123	1/4W 12K	C107	ECBT1H473ZF5	50V 0.047U
R721	ERDS1FVJ4R7T	1/2W 4.7 Δ	R970	ERDS2TJ102	1/4W 1K	C108	ECBT1H100JC5	50V 10P (E, EB)
R722	ERD25FJ101	1/4W 100 Δ	R971	ERDS2TJ122	1/4W 1.2K	C108	ECBT1H8R2KC5	50V 8.2P (EG, G, GN)
R723	ERDS2TJ472	1/4W 4.7K	R972	ERDS2TJ152	1/4W 1.5K	C109, 110	ECBT1C103NS5	16V 0.01U
R724	ERDS1FVJ6R8T	1/2W 6.8	R973	ERDS2TJ182	1/4W 1.8K	C111	ECEA1EKA4R7B	25V 4.7U
R725	ERDS2TJ681	1/4W 680	R974	ERDS2TJ222	1/4W 2.2K	C112	ECBT1C103NS5	16V 0.01U
R727	ERDS1FVJ6R8T	1/2W 6.8 Δ	R975	ERDS2TJ332	1/4W 3.3K	C113	ECBT1H102KB5	50V 1000P
R731	ERD25FVJ180T	1/4W 18 Δ	R976	ERDS2TJ472	1/4W 4.7K	C114	RCE1HKA3R3BG	50V 3.3U
R739	ERD25FVJ180T	1/4W 18 Δ	R977	ERDS2TJ682T	1/4W 6.8K	C115	ECEA1EKA4R7B	25V 4.7U
R754	ERDS2TJ102	1/4W 1K	R978	ERDS2TJ123	1/4W 12K	C116	ECBT1C822MS5	16V 8200P
R772	ERDS2TJ104	1/4W 100K	R980	ERDS2TJ102	1/4W 1K	C117	ECQB1H471JF3	50V 470P
R773	ERDS2TJ103	1/4W 10K	R981	ERDS2TJ122	1/4W 1.2K	C118, 119	ECQB1H103JF3	50V 0.01U
R774	ERDS2TJ223	1/4W 22K	R982	ERDS2TJ152	1/4W 1.5K	C120, 121	ECEA1HKA010B	50V 1U
R775	ERDS2TJ472	1/4W 4.7K	R983	ERDS2TJ182	1/4W 1.8K	C122	ECEA1HKA2R2B	50V 2.2U



Ref. No.	Part No.	Values & Remarks	Ref. No.	Part No.	Values & Remarks	Ref. No.	Part No.	Values & Remarks
C123	ECEA1HKA010B	50V 1U	C503, 504	RCEOJKA101BV	6.3V 100U	C681, 682	ECEA1HN100SB	50V 10U
C124	ECBT1H102KB5	50V 1000P	C505, 506	ECFR1C104MR	16V 0.1U	C683, 684	ECBT1C332KR5	16V 3300P
C125	ECBT1H150JC5	50V 15P	C511, 512	RCE1HKA3R3BG	50V 3.3U	C685	ECBT1E103ZF	25V 0.01U
C126	ECBT1H104ZF5	50V 0.1U	C513, 514	ECBT1H150J5	50V 15P	C691	ECKT1H101KB	50V 100P
C127	RCE1CKA220BG	16V 22U	C515, 516	ECBT1H221KB5	50V 220P	C701	ECBT1E103ZF	25V 0.01U
C128	ECBT1C103NS5	16V 0.01U	C517, 518	ECBT1H330J5	50V 33P	C702	ECQE2104KF3	250V 0.1U
C129, 130	RCEOJKA101BV	6.3V 100U	C519-522	ECEA1VKA4R7B	35V 4.7U	C703, 704	ECES1K752VUX	75V 7500U Δ
C131	ECBT1C103NS5	16V 0.01U	C523, 524	ECFR1E123KR	25V 0.012U	C705, 706	ECA1HM332B	50V 3300U Δ
C132	ECBT1H102KB5	50V 1000P	C525, 526	ECQV1H683JM3	50V 0.068U	C707	ECA1VM101B	35V 100U
C133, 134	ECBT1H270JU5	50V 27P	C527, 528	ECBT1C562KR5	16V 5600P	C708	ECKR1H103ZF5	50V 0.01U
C135, 136	ECBT1C103KS5	16V 0.01U	C529, 530	ECQB1H273JF3	50V 0.027U	C709	ECEA1CKA330B	16V 33U
C137, 138	ECBT1H561KB5	50V 560P	C531, 532	ECBT1E103ZF	25V 0.01U	C710	ECBT1E103ZF	25V 0.01U
C139, 140	ECQB1H682JF3	50V 6800P	C533, 534	RCE1CKA100BG	16V 10U	C711	ECKR1H103ZF5	50V 0.01U
C141-144	ECEA1HKA010B	50V 1U	C536	ECBT1H104ZF5	50V 0.1U	C712	ECEA1HKA100B	50V 10U
C145	ECBT1H220JC5	50V 22P	C537, 538	RCE1CKA100BG	16V 10U	C713	ECKR1H103ZF5	50V 0.01U
C146	ECBT1H331KB5	50V 330P	C551, 552	RCE1HKA3R3BG	50V 3.3U	C714	ECA1HM470B	50V 47U
C147	ECBT1H102KB5	50V 1000P	C553, 554	ECBT1H101KB5	50V 100P	C715	RCE1CKA101BV	16V 100U
C148, 149	ECBT1C103NS5	16V 0.01U	C555, 556	ECBT1H221KB5	50V 220P	C721, 722	ECQE2104KF3	250V 0.1U
C150	ECBT1H104ZF5	50V 0.1U	C557, 558	ECBT1E103ZF	25V 0.01U	C751	ECKWNS102MM	400V 1000P Δ
C172	ECBT1H331KB5	50V 330P	C559, 560	RCE1CKA100BG	16V 10U	C752	ECKR1H103ZF5	50V 0.01U
C173	RCE1CKA220BG	16V 22U	C563	ECEA1HSN010B	50V 1U	C753	ECA1EM102B	25V 1000U Δ
C174	RCE1CKA101BV	16V 100U	C581-584	RCEOJKA101BV	6.3V 100U	C754	ECBT1E103ZF	25V 0.01U
C175, 176	ECBT1C103NS5	16V 0.01U	C601, 602	ECEA1HKN3R3B	50V 3.3U	C755	RCE1CKA470BG	16V 47U
C181	ECBT1H471KB5	50V 470P	C603, 604	ECBA1H681KB5	50V 680P	C756	ECBT1E103ZF	25V 0.01U
C196	ECBT1H102KB5	50V 1000P	C605, 606	ECEA1JU220	63V 22U	C758	RCE1AKA101BG	10V 100U
C351, 352	RCEOJKA101BV	6.3V 100U	C607, 608	ECCR1H100K5	50V 10P	C771	ECEA1HKA2R2B	50V 2.2U
C353	RCE1CKA100BG	16V 10U	C609, 610	ECBT1H221KB5	50V 220P	C772	RCE1CKA100BG	16V 10U
C373, 374	RCE1CKA470BG	16V 47U	C611, 612	ECQV1H473JM3	50V 0.047U	C773	ECBT1E223ZF	25V 0.022U
C401, 402	ECEA1VKA4R7B	35V 4.7U	C613, 614	ECBA1H681KB5	50V 680P	C774	RCEOJKA221BV	6.3V 220U
C403, 404	ECBT1E103ZF	25V 0.01U	C615	ECA1HM470B	50V 47U	C901	ECA0JM102B	6.3V 1000U
C405, 406	ECBT1H101KB5	50V 100P	C616	ECEA2AU100	100V 10U	C902, 903	ECBT1E103ZF	25V 0.01U
C409	RCE1CKA220BG	16V 22U	C617	ECEA1JU220	63V 22U	C904	ECA0JM471B	6.3V 470U
C410	ECEA1JU220	63V 22U	C618	ECEA2AN2R2SB	100V 2.2U	C905	ECBT1E103ZF	25V 0.01U
C411, 412	ECBT1H101KB5	50V 100P	C619	ECBT1H102KB5	50V 1000P	C906	ECA0JM471B	6.3V 470U
C413, 414	RCE1CKA100BG	16V 10U	C621, 622	ECEA2AU100	100V 10U	C908	ECBT1E103ZF	25V 0.01U
C415, 416	ECBT1E103ZF	25V 0.01U	C631-634	ECKT1H223ZF	50V 0.022U	C909-912	ECEA1HKA220B	50V 22U
C417, 418	ECBT1H101KB5	50V 100P	C635, 636	ECKR1H103ZF5	50V 0.01U	C913, 914	RCE1VKA100BG	35V 10U
C419-422	ECBT1H331KB5	50V 330P	C637, 638	ECKT1H223ZF	50V 0.022U	C916	ECEA1HKA010B	50V 1U
C423-426	ECBT1H101KB5	50V 100P	C639	ECKT1H102KB	50V 1000P	C919	ECBT1E103ZF	25V 0.01U
C427, 428	ECBT1H221KB5	50V 220P	C651, 652	ECEA1HKN3R3B	50V 3.3U	C920	ECEA1HKA010B	50V 1U
C431, 432	RCE1CKA100BG	16V 10U	C653, 654	ECBA1H681KB5	50V 680P	C921-927	ECBT1H331KB5	50V 330P
C440	ECBT1E103ZF	25V 0.01U	C655, 656	ECEA1JU220	63V 22U	C929	ECBT1H101KB5	50V 100P
C451, 452	ECEA1VKA4R7B	35V 4.7U	C657, 658	ECCR1H100K5	50V 10P	C939	ECBT1H101KB5	50V 100P
C453, 454	ECBT1H100JC5	50V 10P	C659, 660	ECBT1H471KB5	50V 470P	C941	ECBT1E223ZF	25V 0.022U
C455, 456	ECBT1H102KB5	50V 1000P	C661, 662	ECQV1H473JM3	50V 0.047U	C942	ECBT1E103ZF	25V 0.01U
C457, 458	RCE1AKA330BG	10V 33U	C663, 664	ECBA1H681KB5	50V 680P	C943	ECBT1H101KB5	50V 100P
C459, 460	ECFR1E223KR	25V 0.022U	C665	ECA1HM470B	50V 47U	C944	ECBT1H100JC5	50V 10P
C461, 462	ECFR1E682KR	25V 6800P	C666	ECEA2AU100	100V 10U	C946	ECBT1H101KB5	50V 100P
C463, 464	ECEA1VKA4R7B	35V 4.7U	C667	ECEA1JU220	63V 22U	C954	ECBT1H101KB5	50V 100P
C465, 466	ECBT1E103ZF	25V 0.01U	C668	ECEA2AN2R2SB	100V 2.2U	C1001, 1002	ECEA1HKA010B	50V 1U
C469, 470	ECBT1H181KB5	50V 180P	C669	ECBT1H102KB5	50V 1000P	C1003, 1004	RCE1HKA3R3BG	50V 3.3U
C501, 502	ECFR1E333KR	25V 0.033U	C671, 672	ECEA2AU100	100V 10U	C1005	ECEA1HKA010B	50V 1U

Ref. No.	Part No.	Values & Remarks						
C1007	ECFR1E223KR	25V 0.022U						
C1008	ECFR1E473KR	25V 0.047U						
C1009	RCE0JKA221BV	6.3V 220U						
C1010-1013	RCE1CKA100BG	16V 10U						
C1014	RCE0JKA221BV	6.3V 220U						
C1015, 1016	ECQV1H104JM3	50V 0.1U						
C1017	RCE1HKAR47BG	50V 0.47U						
C1018	ECEA1VKA4R7B	35V 4.7U						
C1019	RCE1HKAR47BG	50V 0.47U						
C1020	ECEA1VKA4R7B	35V 4.7U						
C1021	ECEA1HKAR15B	50V 0.15U						
C1022	RCE1HKA3R3BG	50V 3.3U						
C1023, 1024	ECQV1H154JM3	50V 0.15U						
C1025	RCE1HKA3R3BG	50V 3.3U						
C1026	ECEA1HKAR15B	50V 0.15U						
C1027	ECEA1VKA4R7B	35V 4.7U						
C1028	RCE1HKAR47BG	50V 0.47U						
C1029	ECEA1VKA4R7B	35V 4.7U						
C1030	RCE1HKAR47BG	50V 0.47U						
C1031, 1032	ECQV1H104JM3	50V 0.1U						
C1033	RCE0JKA470BG	6.3V 47U						
C1034	ECQV1H474JM3	50V 0.47U						
C1035	ECBA1H681KB5	50V 680P						
C1036-1038	ECBT1H101KB5	50V 100P						
C1039	RCE1CKA101BV	16V 100U						
C1040	RCE1CKA100BG	16V 10U						
C1041	ECBT1E103ZF	25V 0.01U						
C1051	ECEA1HKA2R2B	50V 2.2U						
C1052	ECEA1HKA010B	50V 1U						
C1053	RCE1HKA3R3BG	50V 3.3U						
C1054	RCE0JKA221BV	6.3V 220U						
C1055	ECEA1HKA010B	50V 1U						
C1056	ECFR1E563KR	25V 0.056U						
C1057	ECFR1E152KR	25V 1500P						
C1058	ECFR1E563KR	25V 0.056U						
C1059	RCE1CKA101BV	16V 100U						
C1060	ECBT1E223ZF	25V 0.022U						
C1062	ECBT1E223ZF	25V 0.022U						
C1063	RCE1CKA101BV	16V 100U						
C1065	ECBT1C472KR5	16V 4700P						
C1067, 1068	ECBT1C152KR5	16V 1500P						
C1072	ECEA1HKA010B	50V 1U						
C1073, 1074	RCE1CKA100BG	16V 10U						
C1081	ECEA1HKA010B	50V 1U						
C1082	ECBT1E223ZF	25V 0.022U						
C1151	ECEA1HKA010B	50V 1U						
C1152	ECFR1C683KR	16V 0.068U						
C1153	ECFR1C273JR	16V 0.027U						
C1154	ECEA1VKA4R7B	35V 4.7U						
C1155-1157	ECBT1E103ZF	25V 0.01U						
C1158	ECBT1H101KB5	50V 100P (E, EB, EG)						

# REPLACEMENT PARTS LIST

**Notes:** \*Important safety notice:

- Components identified by  $\Delta$  mark have special characteristics important for safety.
- Furthermore, special parts which have purposes of fire-retardant (resistors), high-quality sound (capacitors), low-noise (resistors), etc. are used.
- When replacing any of components, be sure to use only manufacturer's specified parts shown in the parts list.
- \*The parenthesized indications in the Remarks columns specify the areas. (Refer to the cover page for area.)
- Parts without these indications can be used for all areas.
- \*Remote Control Ass'y: Supply period for three years from termination of production.
- \*The "(SF)" mark denotes the standard part.
- \*[V] indicates in Remarks columns parts that are supplied by Video Recorder Division.

Ref. No.	Part No.	Part Name & Description	Remarks	Ref. No.	Part No.	Part Name & Description	Remarks
		PACKING MATERIAL		A5	RQCB0169	SERVICENTER LIST	
				A6	RQA0013	WARRANTY CARD	(E, EB, EG)
				A6	RQX7433ZA	WARRANTY CARD	(GN)
P1	RPG2536	PACKING CASE	(E, EG, G, GN)	A7	RAK-SA179XH	REMOTE CONTROL TRANSMITTER	(E, EB, EG)
P1	RPG2537	PACKING CASE	(EB)	A7	RAK-SA603MH	REMOTE CONTROL TRANSMITTER	(G, GN)
P2	RPN0682-2	CUSHION		A7-1	RKK0057-K	BATT. COVER FOR R/C TRANS.	(E, EB, EG)
P3	RPQ0164	PAD (ACCESSORIES)	(EB, EG, G, GN)	A7-1	RKK0020-K	BATT. COVER FOR R/C TRANS.	(G, GN)
P4	RPF0139	PROTECTION BAG (ACCESSORIES)		A8	SJP9009	ATTACHMENT PLUG	(EB) $\Delta$
P5	SPP730	PROTECTION BAG (UNIT)		A9	RFE0014	ANTENNA PLUG	(G, GN)
P6	RPH0032	PROTECTION SHEET	(EB, GN)	A10	RQLA0134	VOLTAGE CAUTION LABEL	(G)
		ACCESSORIES		A11	SJP5213-2	POWER PLUG ADAPTOR	(G) $\Delta$
						<GREASE OR JIG/TOOL>	
A1	RFKSAGX390E	INSTRUCTION MANUAL ASS'Y	(E)			TEST DISC	
A1	RFKSAGX490GN	INSTRUCTION MANUAL ASS'Y	(EB)	SA1	SZZP1054C	PLAYABILITY TEST DISC	
A1	RFKSAGX390EG	INSTRUCTION MANUAL ASS'Y	(EG)			TEST TAPE	
A1	RFKSAGX690G	INSTRUCTION MANUAL ASS'Y	(G)				
A1	RFKSAGX690GN	INSTRUCTION MANUAL ASS'Y	(GN)	SA2	QZZCLA	DISTORTION ADJUSTMENT	
A2	RJA0019-2K	AC POWER SUPPLY CORD	(E, EG, G) $\Delta$ (SF)			GREASE	
A2	VJA0733	AC POWER SUPPLY CORD	(EB) $\Delta$ (SF) [V]	SA3	RFKX0002	COMPOUND GREASE	
A2	RJA0036-K	AC POWER SUPPLY CORD	(GN) $\Delta$				
A3	RSA0007	FM INDOOR ANTENNA					
A4	RSA0010	AM LOOP ANTENNA SET					
A4-1	RMN0244	AM ANTENNA HOLDER					
A4-2	XTN3+12AFZ	SCREW					

## PACKAGING

